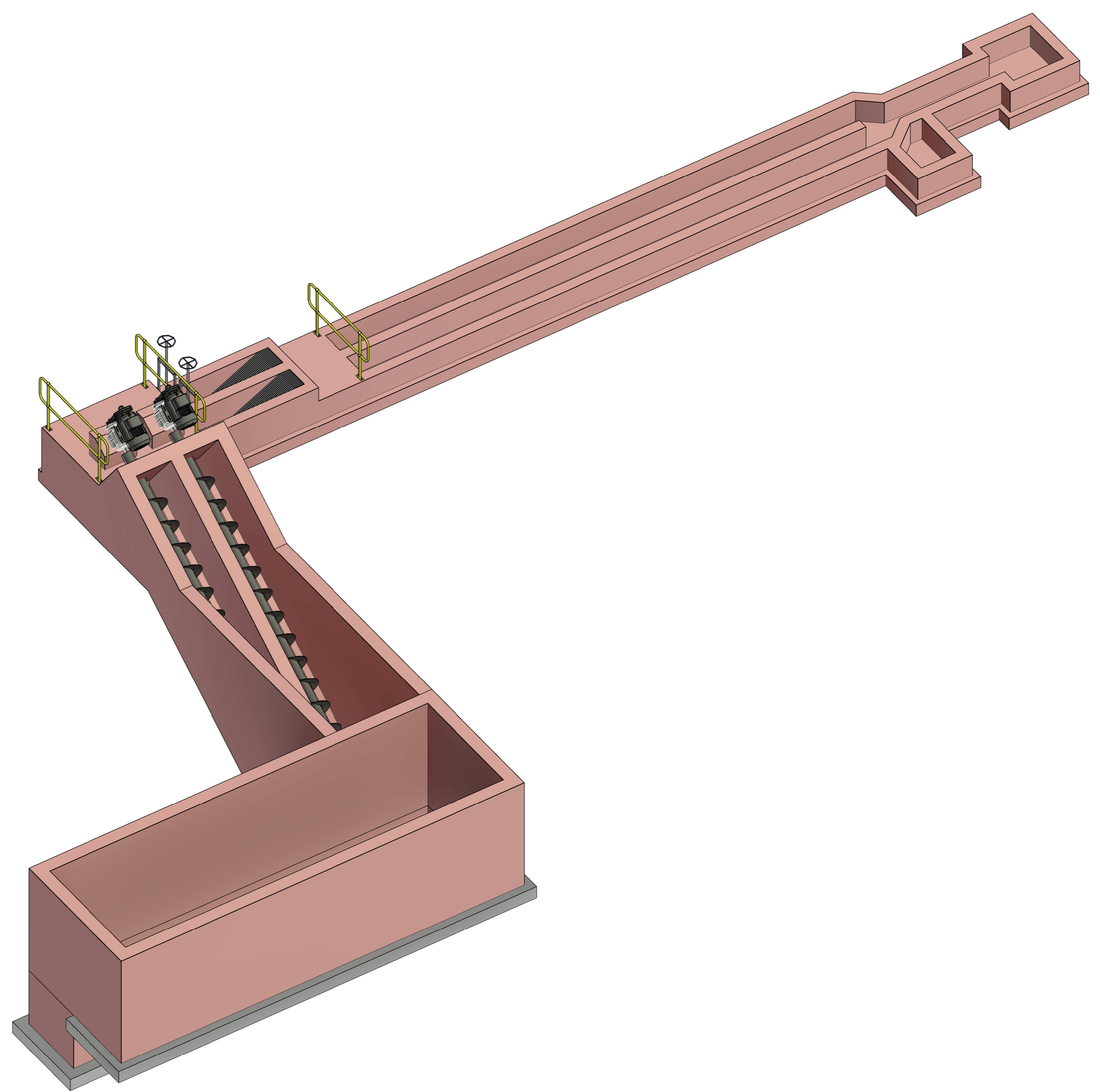


{3D}  
SCALE



3D 2  
SCALE

NOTES / LEGEND

PROJECT STATUS

INFORMATION

APPROVED BY COUNCIL / CLIENT

CITY ENGINEER / CLIENT

AMENDMENTS CODE

DATE

INITIAL

REVISION DESCRIPTION

DATE

INITIAL

REVISION DESCRIPTION

DATE

INITIAL

REVISION DESCRIPTION

DATE

INITIAL

REVISION DESCRIPTION

DATE

INITIAL

REVISION DESCRIPTION

DATE

INITIAL

REVISION DESCRIPTION

DATE

INITIAL

REVISION DESCRIPTION

DATE

INITIAL

REVISION DESCRIPTION

DATE

INITIAL

REVISION DESCRIPTION

DATE

INITIAL

REVISION DESCRIPTION

DATE

INITIAL

REVISION DESCRIPTION

DATE

INITIAL

REVISION DESCRIPTION

DATE

INITIAL

REVISION DESCRIPTION

DATE

INITIAL

REVISION DESCRIPTION

DATE

INITIAL

REVISION DESCRIPTION

DATE

PROJ	OFFICE	DATE	BY
35008-00-201-03	35008-00-201-03	05/07/2018	CP



CLIENT



PROJECT

REFURBISHMENT OF NABABEEP WWTP

DRAWING TITLE

3D VIEWS

APPROVED BY

ENGINEER/TECHNOLOGIST

REG. NO.

DATE

SCALE @ A0

DRAWN S. BOSHOFF

DESIGNED G. MEIRING

CHECKED M. DUPLESSIS

PLAN NUMBER

REVISION NO.

DATE SAVED

35008.00-201-03

A

05/07/2018