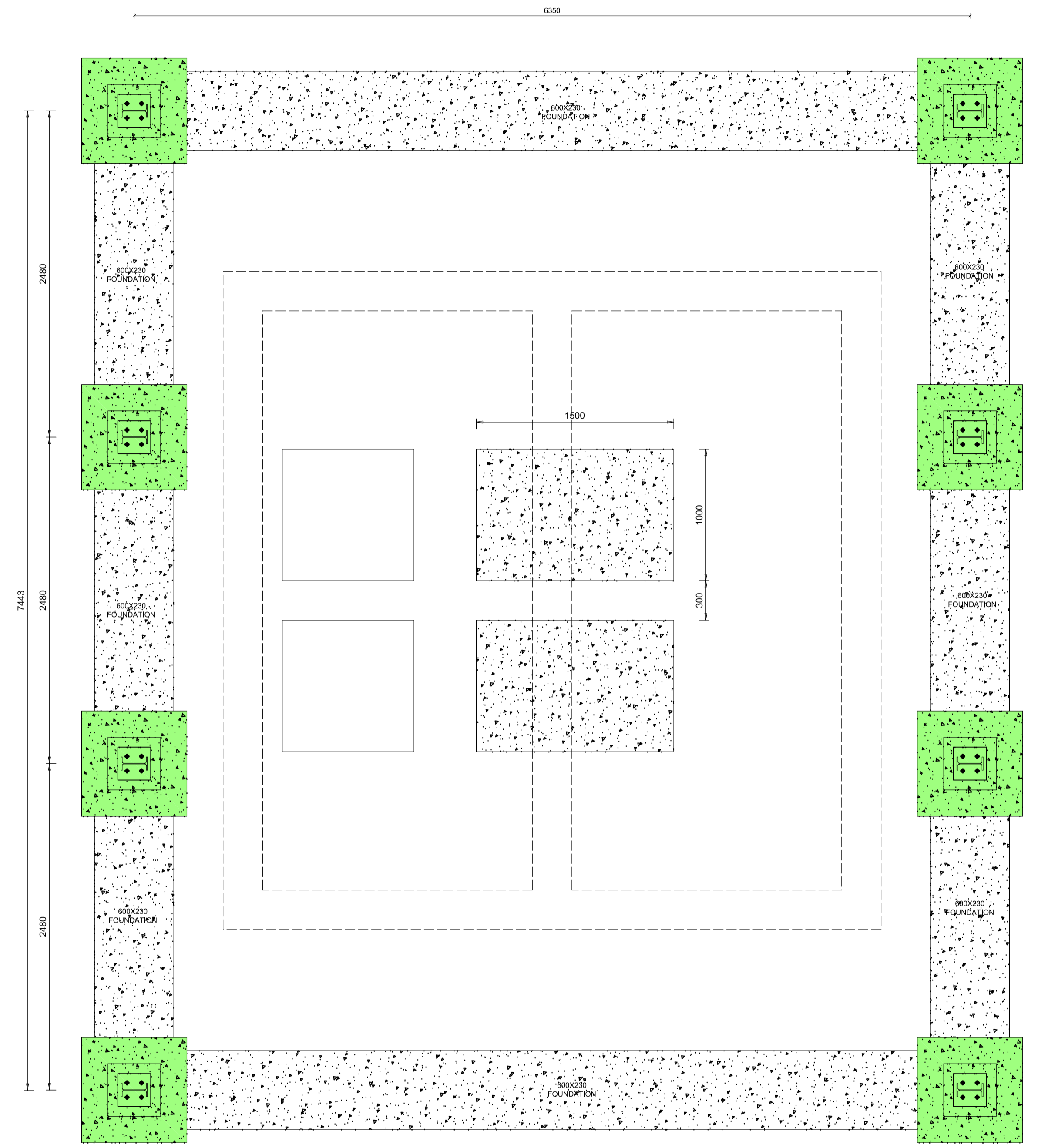
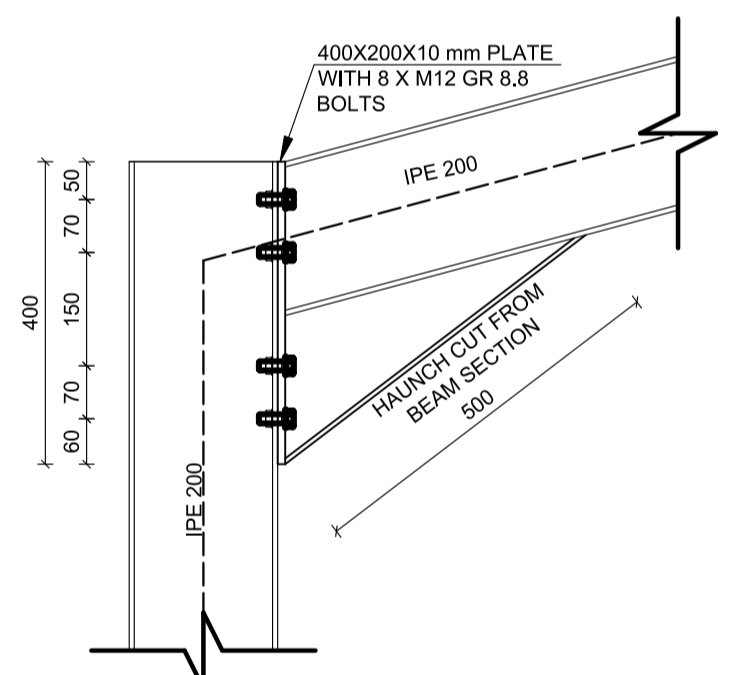


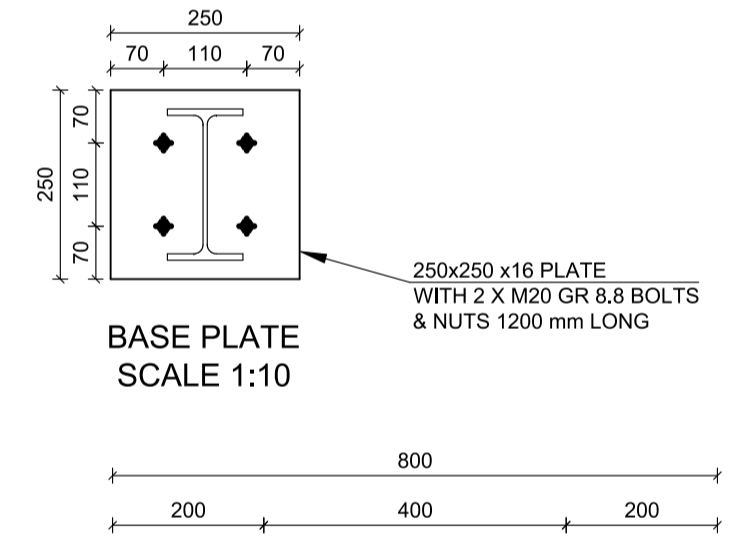
ROOF STRUCTURE SECTION SCALE 1:20



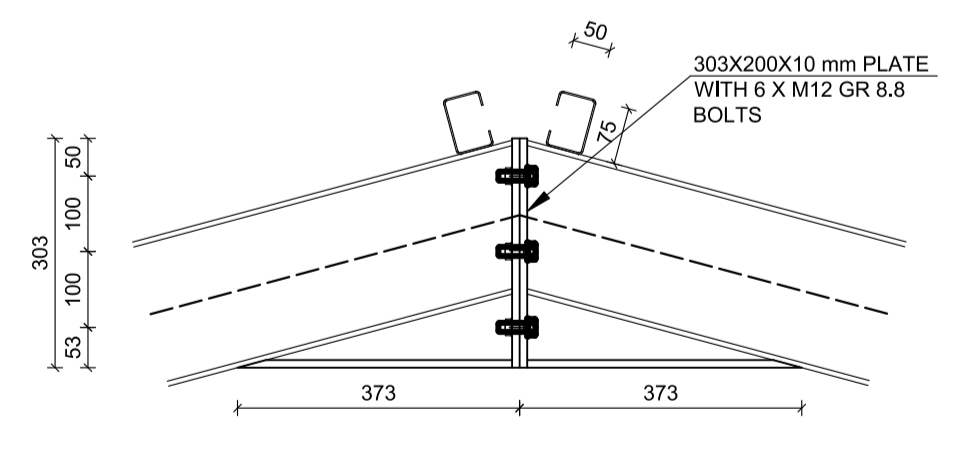
FOOTING LAYOUT SCALE 1:20



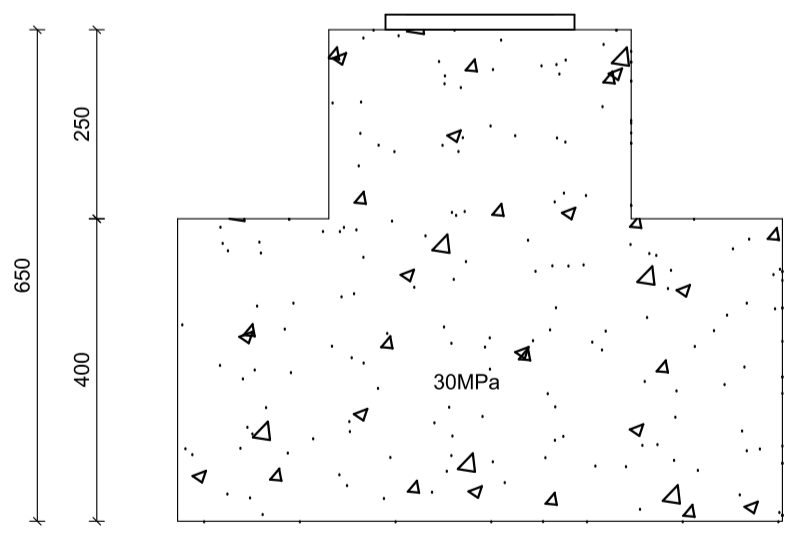
HAUNCH DETAIL SCALE 1:10



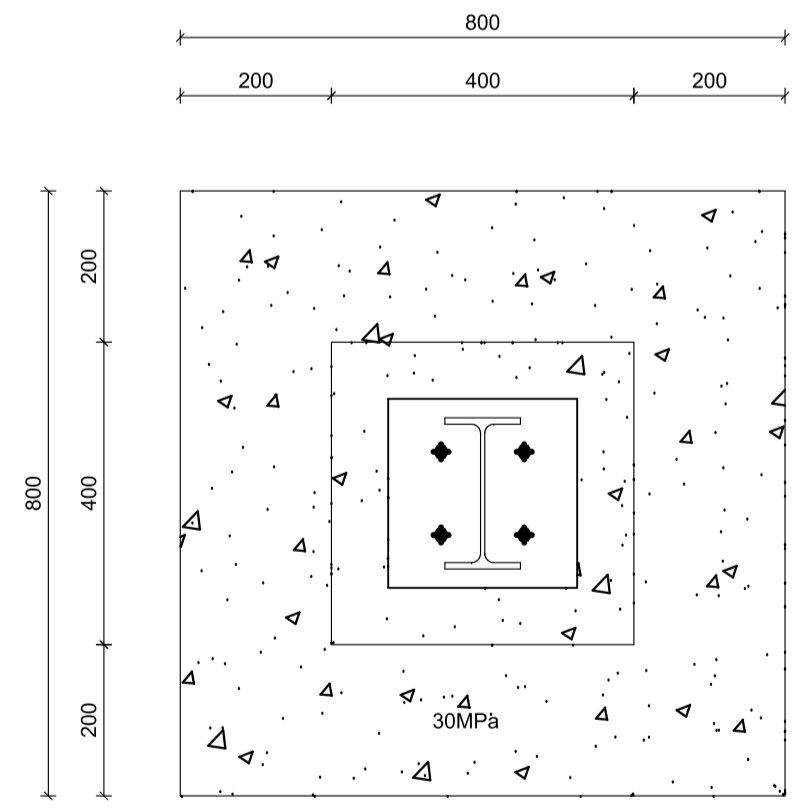
BASE PLATE SCALE 1:10



APEX DETAIL SCALE 1:10



FOOTING SECTION SCALE 1:10



FOOTING TOP VIEW SCALE 1:10

NOTE / LEGENDS

ISSUE DATE: 25 Jul 2023	DRAWING SIZE: A1	REVISION: 0
PRELIMINARY		
INFO ONLY		
X FOR TENDER		
FOR CONSTRUCTION		
AS-BUILT		

APPROVED BY COUNCIL / CLIENT

CITY ENGINEER / CLIENT	REG. NO.	DATE
AMENDMENTS CODE		
A,B,C... : BEFORE TENDER	/A : BY CLIENT	
0 : TENDER DRAWING	/B : BY ARCHITECT	
1,2,3... : AFTER TENDER	/C : BY MECHANICAL OR ELECTRICAL	
Z : AS BUILT	/D : BY BVI	
	/E : BY OTHER ()	

REVISIONS

DATE	INITIAL	No./CODE	REVISION DESCRIPTION
PEN 3	PEN 3	PEN 3	PEN 3

COPYRIGHT

THIS DRAWING IS THE PROPERTY OF BVI - CONSULTING ENGINEERS IS PRIVATE AND CONFIDENTIAL AND IS SUPPLIED ON THE EXPRESS UNDERSTANDING THAT IT IS NOT TO BE USED FOR ANY PURPOSE OR COPIED OR COMMUNICATED TO ANY PERSON WITHOUT THE WRITTEN PERMISSION OF THE PROPRIETORS.

CLIENT

NAMA KHOI MUNICIPALITY

bvi ENGINEERING'S PROCUREMENT MANAGEMENT

Uptington Office
Registration no. 19960020407

PROVINCIAL OFFICE

ISO 9001 CERTIFIED

BBBEE Level 1

CESA

PROVINCE OFFICE

Gauteng	012 343 0098	gauteng@bvi.co.za
Free State	051 447 2137	fs@bvi.co.za
Western Cape	057 353 2499	wc@bvi.co.za
Northern Cape	054 337 4600	nc@bvi.co.za
Eastern Cape	027 713 6990	ec@bvi.co.za
Western Cape	031 266 4382	dbn@bvi.co.za
Eastern Cape	035 786 0230	emp@bvi.co.za
Western Cape	041 373 4143	lwc@bvi.co.za
Western Cape	021 527 7000	cap@bvi.co.za

PROJECT

REFURBISHMENT OF NABABEEP WWTP

DRAWING TITLE

NEW SUMP BUILDING STRUCTURAL DETAILS

APPROVED BY BVI

ENGINEER/TECHNOLOGIST	REG. NO.	DATE
DESIGNED	G. MEIRING	CHECKED
PLAN NUMBER	REVISION NO.	DATE SAVED
LAYERS USED	35008-201-01	0
		25 Jul 2023

DRAWING NOT PRINTED TO SCALE REDUCED FROM A1 TO A3.

35008-201-01-0.dwg