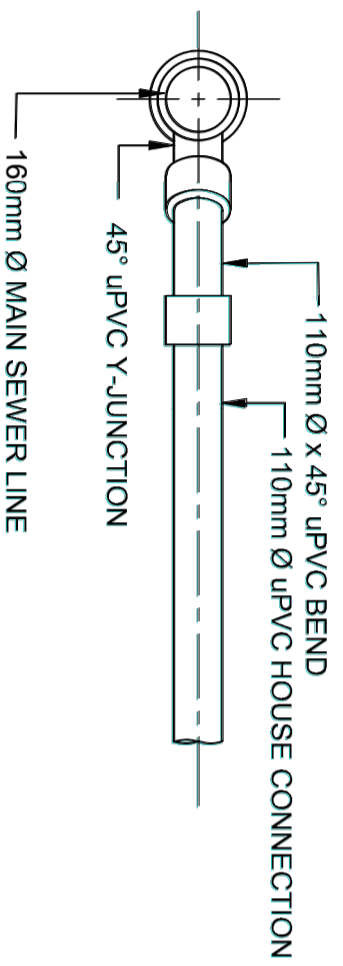
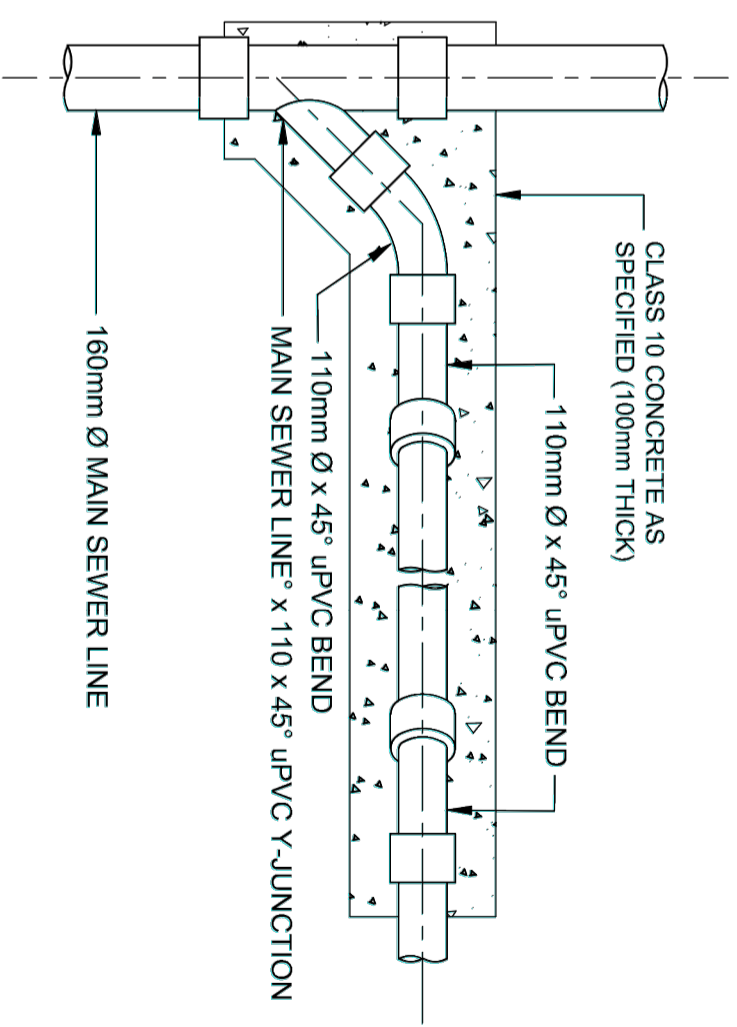


PLAN VIEW

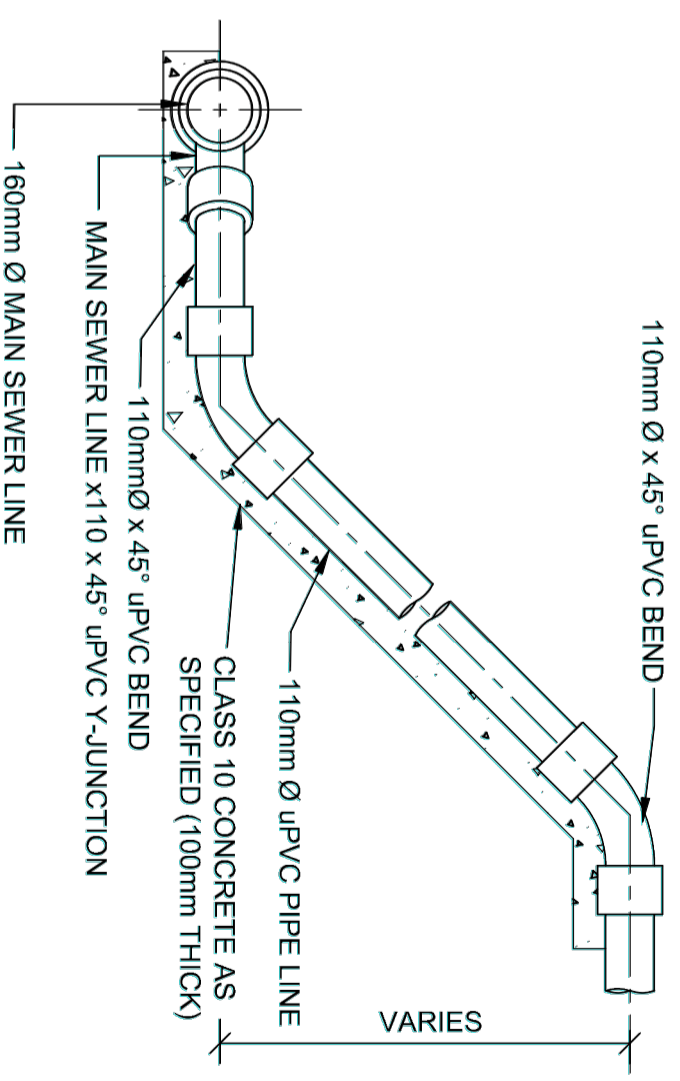


ELEVATION

SEWER HOUSE CONNECTION



PLAN VIEW



ELEVATION

SLOPING DROP HOUSE CONNECTION