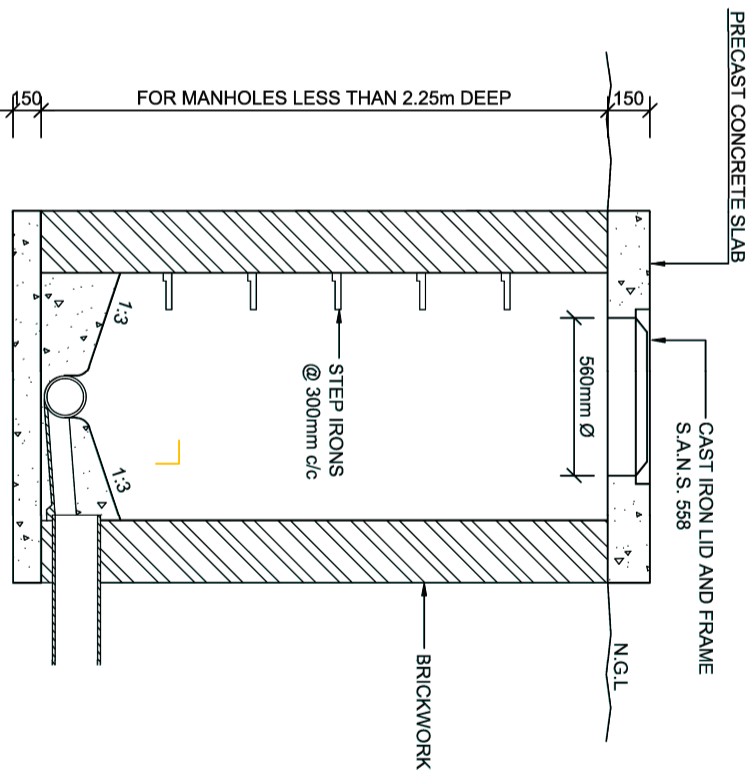
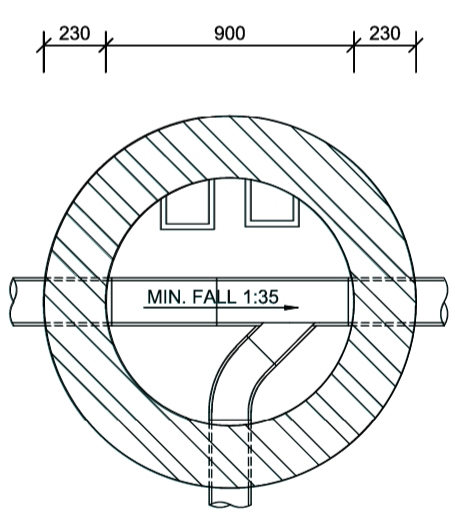


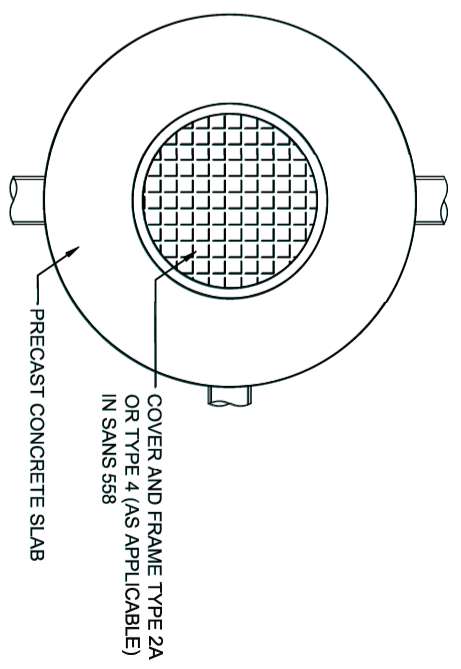
TYPICAL TRENCH
EXCAVATION



NOTE:
 1. MANHOLE TO BE PLASTERED INTERNALLY WITH 13mm, 1:3 CEMENT MORTAR
 2. MANHOLE TO BE WATERTIGHT
 3. BRICKWORK TO MANHOLES TO BE 220mm BENCHING TO BE RENDERED IN 20mm 1:3 CEMENT MORTAR



SECTIONAL VIEW



PLAN VIEW

TYPICAL BRICK MANHOLE
COVER & FRAME